



September 19, 2024

REQUEST FOR QUOTATIONS

The Philippine Council for Health Research and Development (PCHR), through its Bids and Awards Committee (BAC), requests PhilGEPS registered suppliers to submit **SEALED QUOTATIONS for the one (1) lot Labor, Supplies, and Materials for the Construction of Concrete Pedestal for MERALCO Service Entrance with a total approved budget for the contract (ABC) in the amount of Four Hundred Thirteen Thousand Pesos (P 413,000.00).**

➤ **Scope of Work:**

- Civil Works
- Electrical Installation
- To be connected to the Electrical System of Saliksik Building
- See attached Technical Specifications and Drawings

➤ **Checklist of Requirements:**

- Accomplished Bill of Quantities (see attached form)
- Mayor's / Business Permit (2024)
- PhilGEPS Certification / Number
- Certification of Registration (BIR 2303)
- PCAB License
- Duly Signed and Notarized Omnibus Sworn Statement

****NOTE:**

1. **All bidders are required to submit the above-mentioned requirements along with their quotation/proposal. Place them in a sealed envelope and submit it to the address given below on or before the submission date.**
2. **BAC will use the non-discretionary pass / fail criteria. BAC will check each required document if it's present or absent, if one document is absent, it's considered a non-responsive bid therefore an outright rejection.**

Qualified bidders should submit their quotations to the address below **on or before September 26, 2024 (Thursday), 10:00 AM**. Failure to strictly comply with the deadline and general conditions shall automatically disqualify the bidder/s from the bidding process. Winning bidder will be required to submit additional requirements as stipulated in the IRR of RA 9184.



PCHRD reserves the right to reject any or all quotations, to waive formality therein and to accept offers that may be considered most advantageous to the government.

For further information, please refer to:

Mr. Cirio D. Pangan Jr.

Secretariat, Bids and Awards Committee

Philippine Council for Health Research and Development

PCHRD Saliksik Building, Sikap Street,

DOST Main Compound, Gen. Santos Ave., Bicutan, Taguig City

Email: procurement@pchr.dost.gov.ph

Tel. No.: 8463-3058

(sgd.)

MARIA VIOLETA G. INTIA

Chair, BAC

- EXISTING:
LOAD: ___ KW, ___ PHASE ___ V, ___ W
- PROPOSED-NEW APPLICATION (COMMERCIAL)**
LOAD: 127 KW, 3 PHASE 230 V, 4 W
OHN WIRE : 3#5 CU. WELD. STEEL
PRIMARY WIRE : 2#3/0 GOV. COND. ACSR.
NEUTRAL WIRE : #3/0 BR. ACSR.
SECONDARY WIRE :
SERVICE WIRE : 3-#4/0 INS. CU. (S)
+ #4/0 INS. CU. (G)
- Bold lines indicate Proposed facilities
- As per Masterplan DWG#:
- Relocation Parameters:
 With Valid PROW Government Project
 Compromised Safety Standards
- To be done in conj. with or after completion of:
Work Order #: _____ E.R. #: _____
- This Cancels and supersedes:
Work Order #: _____ E.R. #: _____
- With Foreign Attachments

- BUSINESS SEGMENT**
 CBG BIZ HMB
CONTACT PERSON: REY ANTHONY P. MERCADO
EMAIL ADDRESS: rapmercado@meralco.com.ph
- BUSINESS CENTER/SALES OFFICE TO:**
 Require Subd. developer/rep. to install lot monuments on lot boundaries. Install stakes on approved pole and guy locations. Do not authorize release until this req. is met.
 Advise customer to balance their 1ph loads among the 3ph lines.
 Advise customer to install RVS 3.5:1 ratio for their motors rated 5HP and above.
 Install private pole of Meralco standards.
- R/W AGENT TO SECURE**
 R/W for proposed facilities/encircled Pole(s) and Guy(s).
 R/W for trimming/cutting down of trees uprooting of bamboo clusters.
 APL for all proposed facilities.

- CONSTRUCTION TEAM**
 Ensure pole ground resistance of 5 ohms or less for all transformer poles and poles with SLEs
 Line crew to install pole/ TLN tag(s) on newly installed/replaced pole(s).
 Reconnect affected service drops.
 Make certain that every ground wire is bonded electrically to system neutral.
 Do not connect existing secondary lines to the proposed secondary leads of the transformer.
 Check and maintain existing phase sequence or rotation of three phase loads.
 Inspect thoroughly the existing pole for transformer installation and replace it if found not fit to serve as transformer pole.
- SCALE: 1:1000

① DZ2-2232
(15.0m) C.P.
POLE LOCATION #: 10336782
EXTENSION OF OH. LINES.
VINTAGE YEAR: 2002

INSTALL:
SUP2-S
LHW2-SDE
CON2-W302
ARM2-3SC1DC
GRD1-A5
(2) INS2-L-A2C
(2) WIR2-T2PR2
(2) INS2-L-ADEC ~ ϕAB
(2) CLP1-S4UA
(2) GEN1-ELECTAPE-HV-B-LS
(2) GEN1-ELECTAPE-HV-B-V
(2) CON2-W3030
SAS2-UA-DE
FST1-B16M400S
CON2-W3010
GUY2-T212
(2) GUY2-TCL ~L.D. -1.5m
(2) GUY2-MRK
(30m) WIR2-G38
CON2-W3010
CON1-W1010
TAG2-PLT-A
TAG2-PLT-B
VEGO-TP-T

② DZ2-8040
POLE LOCATION #: 29768109
INSTALL (15.0m-3A) C.P.

INSTALL:
CVL0-BRCP
POL2-C15C3A
TST0-GRDS
GRD2-INS-C1
CON2-W302
SUP2-S
LHW2-SDE
GRD1-A1
ARM2-3SC1DC
(2) INS2-L-ADEC ~ ϕAB
(2) CLP1-S4UA
GEN1-ELECTAPE-HV-B-LS
SAS2-UA-DE
FST1-B16M400S
GUY2-T212
(2) GUY2-TCL ~L.D. -1.5m
(2) GUY2-MRK
(30m) WIR2-G38
CON2-W3010
CON1-W1010
TAG2-PLT-A
TAG2-PLT-B
CVL0-PB15C
CVL0-PB16R
VEGO-TP-T

(35m) CND2-BC35 (O)
(2-35m) CND2-CLA30 (P)
(35m) CND2-BA30 (N)
~BACK to station #1

③ TLN-521088 ϕAB
DT LOCATION #: 29768124
INSTALL 2-75KVA.
20KV-240/120V, 1 ϕ DT'S
SERVICE VOLTAGE = 230V
EXPECTED LOADING: 80.51%

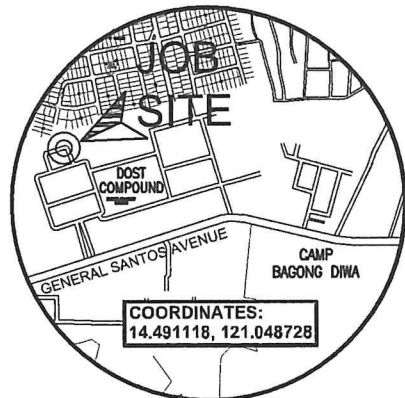
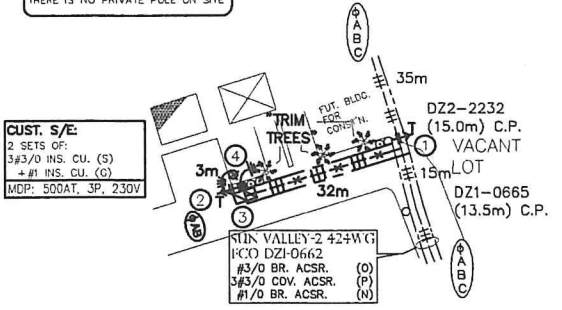
INSTALL:
DXF3-XL7575A
(2) CON2-H4
(2) CON2-W302A
(2) FUS2-CL12K75-L
(2-3m) CND2-CUC4-DPL
(6m) CBL1-CU40-SL
TAG0-DXF
(2) GEN1-ELECTAPE-HV-B-LS
(2) GEN1-ELECTAPE-HV-B-V

④ METERING
MTC. LOCATION #: 29729015
USE 3#4/0 INS. CU. (S) +
#4/0 INS. CU. (G) as S/D.

INSTALL:
SVC2-POL-AERIAL
(3m) SVC2-SUP-MSGR
(8m) CBL3-C07575A-C
(3) CON2-S5040
CON2-S4040
(5) GEN1-ELECTAPE-LV-B
MENO-OCTCA

N
DZ2-NW
DATE RECEIVED: 03/01/2024
DATE WAPPR: 03/18/2024

NOTE:
AS OF 03-07-24 (DATE SURVEYED),
THERE IS NO PRIVATE POLE ON SITE



WIRE SUMMARY:

1. INSTALL 1-SPAN (35m)
3#5 CU.WELD. ACSR. (O),
2#3/0 GOV. ACSR. (P), &
#3/0 BR. ACSR. (N)
(FROM STATION #1 TO STATION #2)

LEGEND

- #---#---#---#---# 20 KV, 3P 3-WIRE
- #---#---#---#---# 20 KV, 3P 2-WIRE
- #---#---#---#---# OVERHEAD NEUTRAL LINE
- #---#---#---#---# 240/480 V, 3-Ph, 4-Wire NEUTRAL LINE
- EXISTING POLE
- ⊙ TELECOM POLE
- ⊙ PRIVATE POLE
- ⊠ OPEN-BANK TRANSFORMERS
- H- TRUSS GUY
- ⊙ GROUNDING
- ⊙ PROPOSED POLE
- ⊙ TLN TAG
- ⊙ PHASE MARKING
- ⊙ APPLICANT
- ⊙ TREES

NOTE: All other proposed installation are of the same symbols as of existing but are in bold lines.

NOTE: CBG PARTNER TO VERIFY IF RIGHT OF WAY HAS BEEN SECURED BEFORE ACCEPTING PAYMENT FROM APPLICANT

POLE DESCRIPTION	POLE COUNT	
	INSTALL	RETIRE
(15.0m-3A)C.P.	1	0

STATION	CU's
4	68



V I C I N I T Y M A P
n t s

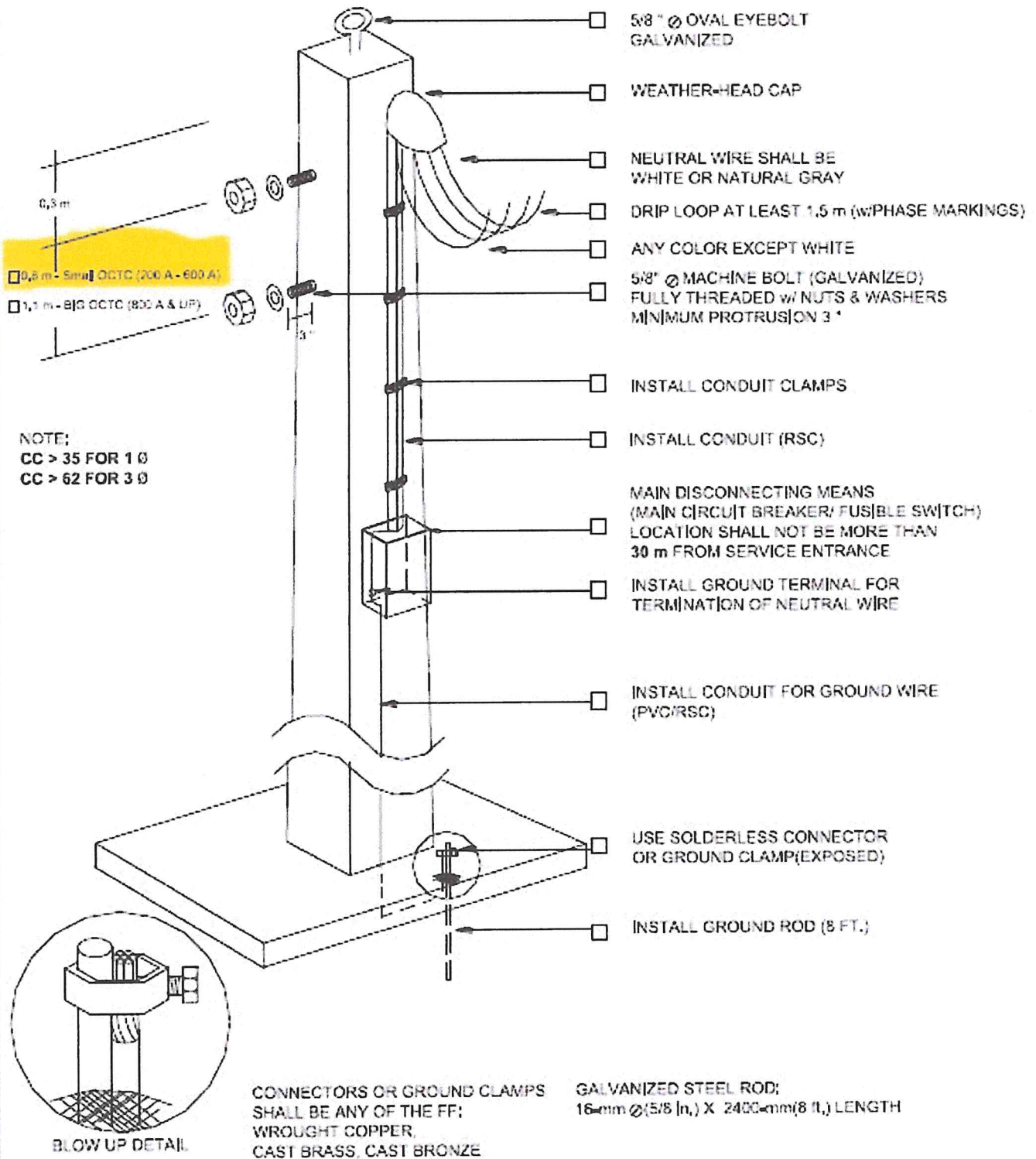
DESIGN ACCEPTANCE

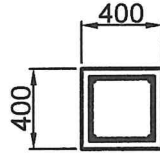
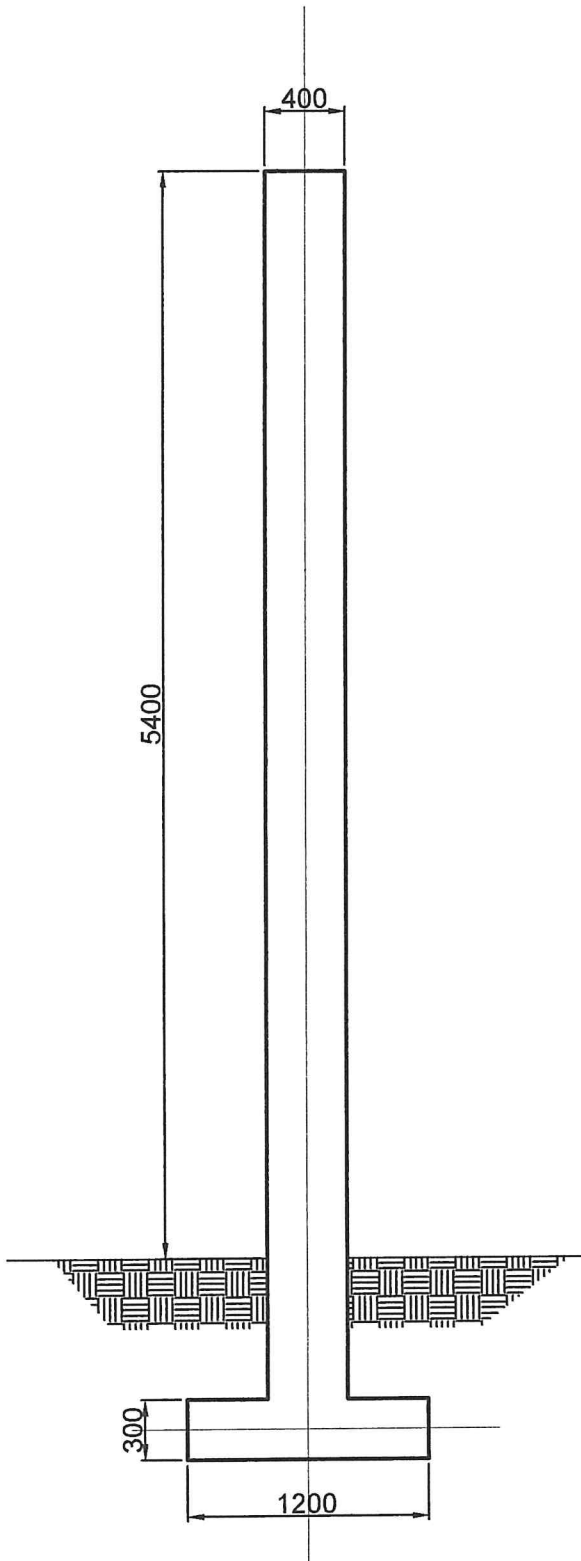
ACCEPTED
 NOT ACCEPTED

	INITIAL	SIGNATURE	DATE
SDE	LLM		
TEAM LEADER	LOC	<i>[Signature]</i>	3/22/2024

ENGINEERS' APPROVAL			W.O. NO.:	X24030847320	PROJECT OWNER
DESIGNED BY:	IAJ	03/22/2024	ESTIMATE NO.:	311205	VERSION: 1
APPROVED BY:	MMA	03/22/2024	CUSTOMER:	DEPARTMENT OF SCIENCE AND TECHNOLOGY	
			LOCATION:	(DOST PCHRD SALIKSIK BLDG) SIBOL, DOST CPD, UPPER BICUTAN, TAGUIG CITY, METRO MANILA	

- HEIGHT OF PRIVATE POLE
5.4 m ALONG AND ACROSS PUBLIC ROADS
7.2 m ALONG AND ACROSS NATIONAL HIGHWAYS

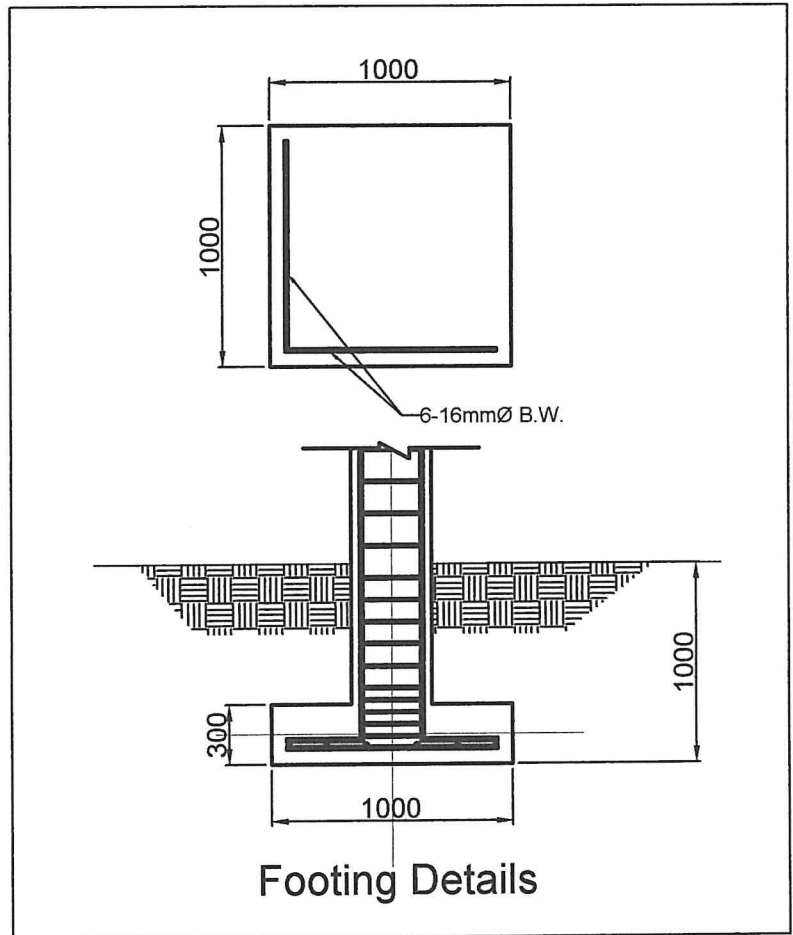




Steel Rebar:

1. Vertical bar: 4-16mm \varnothing
2. Lateral: 10mm \varnothing spaced at 5@50mm, 10@100mm, rest @ 150mm

Column Details



Footing Details

PROJECT : Construction of Concrete Pedestal for MERLACO Service Entrance
 OWNER : PHILIPPINE COUNCIL FOR HEALTH RESEARCH AND DEVELOPMENT
 LOCATION : DOST COMP. GEN. SANTOS AVE. BICUTAN TAGUIG CITY
 SUBJECT : Bill of Quantities
 SCOPE : Civil and Electrical Wokrs

DESCRIPTION OF WORK	QTY	UNIT	MATERIAL COST	LABOR COST	OCM	12% VAT	UNIT COST	TOTAL COST
I. General Requirements								
Mobilization/Demobilization	1	lot						
As-Buit Plans	1	lot						
Subtotal								
II. Concrete Pedestal Civil Works								
Cement	15	bag/s						
Sand	0.64	cu.m.						
Gravel	1.28	cu.m.						
10mm rebars (6m)	11	pc/s						
16mm rebars (6m)	7	pc/s						
Tie Wire	1	kg						
Formworks	11	sq.m.						
Subtotal								
II. Electrical Requirements								
THHN Wire 125mm ²	120	lm						
THHN Wire 30 mm ²	30	lm						
RSC Pipe with coupling 3" dia.	5	pc/s						
PVC Pipe 3" dia.	2	pc/s						
PVC Long Elbow 3" dia	2	pc/s						
PVC Adapter with locknut 3" dia.	4	pc/s						
Entrance Cap 3" dia	2	pc/s						
Locknut/bushing 3" dia.	4	pin/s						
Solderless Connector 500mcm	6	pc/s						
ACB 500AT 3 Pole NEMA 3R	1	set						
Electrical Tape	6	pc/s						
Rubber Tape	6	pc/s						
Subtotal								
GRAND TOTAL								

*All required labor, supplies and materials needed for the execution of the project is included in the total cost, including repair works if any.

Prepared by: